

Please note that the data given here has been taken from the online catalog. For comprehensive information and data, please refer to the user documentation at <http://www.download.phoenixcontact.com>. The General Terms and Conditions of Use apply to Internet downloads.

► Extract from the online catalog

MCR digital display, for measurement and display of standard signals, 5-fig. display



Order No.	2864011
Ord designation	MCR-SL-D-U-I
EAN	4017918820718
Pack	1 Pcs.
Customs tariff	90291000
Weight/Piece	0.0971 KG
Catalog page information	Page 351 (IF-2007)

► Product notes

WEEE/RoHS-compliant since: 08/15/2006



IMPORTANT : This date is valid for Customers in Germany only. Date Format is MM/DD/YYYY. Please contact your local in-country Phoenix Contact location or designated business partner for a Logistics Compliant date in your area. In order to guarantee delivery of RoHS-Compliant product, please purchase Phoenix Contact parts from authorized Phoenix Contact representatives and distributors.

MCR-SL-D-U-I



▶ **Technical data**

Input data

Voltage input signal	0 V ... 10 V
Current input signal	4 mA ... 20 mA
Current input signal	0 mA ... 20 mA
Max. input voltage	30 V DC
Max. input current	50 mA
Input resistance of voltage input	> 1 M Ω
Input resistance current input	(approx. 100 Ω with 5 mA / approx. 70 Ω with 20 mA)

Power supply

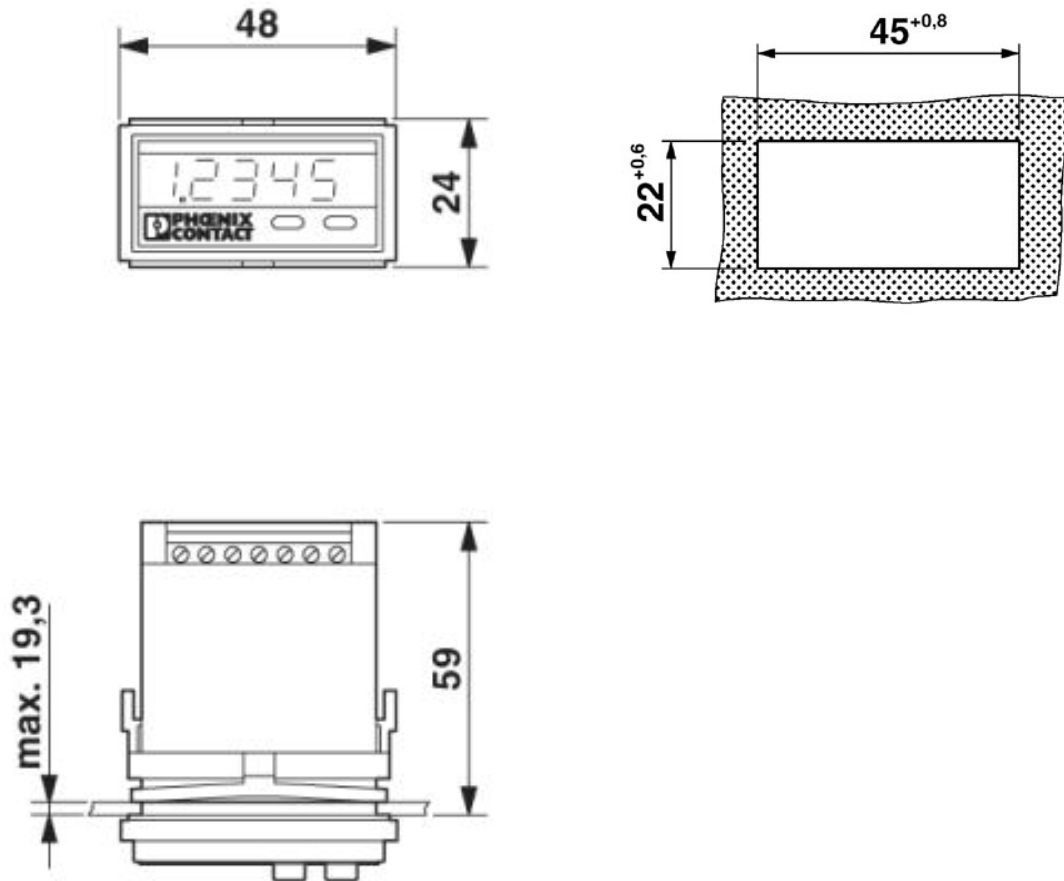
Range of supply voltages	10 V DC ... 30 V DC
Max. current consumption	50 mA

General data

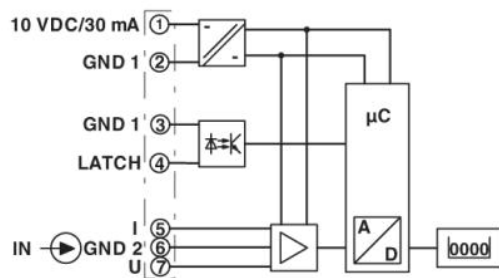
Length	59 mm
Width	48 mm
Height	24 mm
Ambient temperature (operation)	-10 °C ... 50 °C
Ambient temperature (storage/transport)	-25 °C ... 70 °C
Degree of protection	IP65 from the front
Color	black
Housing material	Macrolon 2405
Conformance	CE compliance
UL, USA / Canada	cULus

► Drawings

Dimensioned drawing



Circuit diagram



► Address

PHOENIX CONTACT GmbH & Co. KG
Flachsmarktstr. 8
32825 Blomberg
Germany
Phone +49 5235 3 00
Fax +49 5235 3 41200
<http://www.phoenixcontact.de>
Phoenix Contact
Technical modifications reserved;